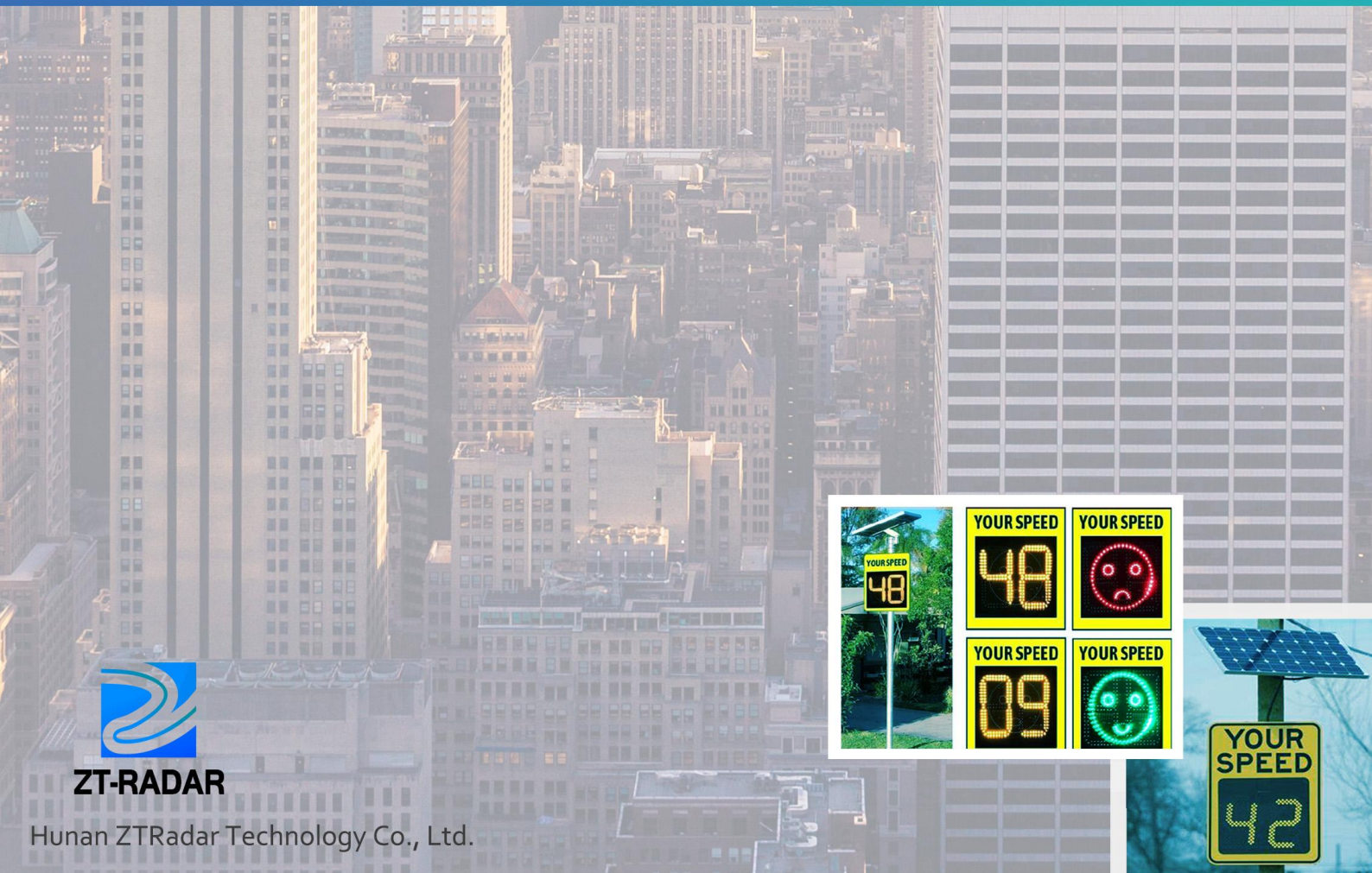


Smart Radar Sense For Traffic Safety



ZT-RADAR

Hunan ZTRadar Technology Co., Ltd.

CONTENTS

TRAFFIC FLOW RADAR

- ZT-TFRE100
- ZT-TFRK100
- ZT-TFRE350

CAMERA INTEGRATED RADAR

- ZT-AIRE100
- ZT-AIRE350

TRAFFIC SPEED RADAR

- ZT-TSRK01LE
- ZT-TSRK04LE

SPEED DETECTION RADAR

- ZT-TSRK100SF
- ZT-TSRK200SF

BARRIER GATE RADAR

- ZT-PGRK001NP
- ZT-PGRK002NP
- ZT-PGRK003NP



Traffic Flow Radar

Product Overview

Traffic flow radar is developed to help to optimize the traffic control management and improve the transportation safety. By microwave monitoring and AI algorithm, the radar detection is featured high accuracy and reliability. It can monitor vehicle flow in real time to report the ID, distance, lane, speed and other information periodically. So it can be applied to detect the vehicle queue at crossroads and count the traffic flow. With integration to ANPR camera, it can be applied to monitor the highway and downtown intersection, lower down the traffic violation and improve the traffic efficiency.

Application Scenarios



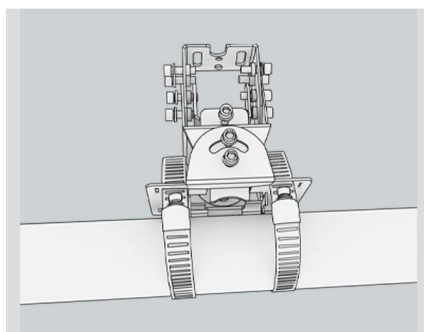
Product Features

- Integrated edge design and structured data output
- IP67 protection level, unaffected by adverse weather conditions
- Accurate detection and centimeter level trajectory tracking
- Ethernet interface for high efficiency data transmission
- Multi lanes and multi targets detection for various scenarios
- Built in smart algorithm for easy maintenance and remote configuration

Product Parameters

| Model | ZT-TFRE100 | ZT-TFRK100 | ZT-TFRE350 |
|---------------------------|-------------------------------------|-------------------------------------|-------------------------------------|
| Detection Range | 100m;≤8 lanes | 100m;≤8 lanes | 350m;≥8 lanes |
| Targets Number | 256 | 128 | 512 |
| Center Frequency | 77GHz | 24GHz | 77GHz |
| Fresh Rate | 20Hz | 20Hz | 20Hz |
| Speed Range | ±200Km/h | ±200Km/h | ±200Km/h |
| Speed Accuracy | ±0.1Km/h | ±0.2Km/h | ±0.3Km/h |
| Distance Resolution | 0.4m | 1m | 0.35m (< 100m);1.4m (< 350m) |
| Distance Accuracy | ±0.1m | ±0.5m | ±0.1m (< 100m); ±0.3m (< 350m) |
| Angle Resolution | 6° | 14° | 6°(< 100m); 1.5°(< 350m) |
| Angle Accuracy | ±1° | ±2° | ±1°(< 100m); ±0.2°(< 350m) |
| Output Interface | RJ45/RS485/4*GPIO | RJ45/RS485/4*GPIO | RJ45/RS485/4*GPIO |
| Working Temperature | -40°~85° | -40°~85° | -40°~85° |
| Protection Level | IP67 | IP67 | IP67 |
| Average Power Consumption | DC 24V;8W | DC 24V;8W | DC 24V;8W |
| Installation method | L-Pole/Signal Light/Gantry/Roadside | L-Pole/Signal Light/Gantry/Roadside | L-Pole/Signal Light/Gantry/Roadside |
| Dimension | 200mm x 148mm x 61mm | 200mm x 148mm x 61mm | 200mm x 148mm x 61mm |

Field Installation Photos



Camera Integrated Radar

Product Overview

Camera Integrated Radar is developed and designed all in one with traffic flow radar, video camera, supplement light and AI algorithm. With the data fusion from radar detection and camera AI, it can greatly help transportation authorities to monitor the traffic vehicles by features like type, color, manufacturer; and record the driving violation behaviors like driving on lane line, illegal lane change, opposite direction, emergency lane occupation, over-speeding and ultra-low speed etc. It can be installed both roadside and gantry.

Application Scenarios



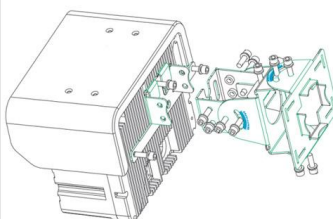
Product Features

- Target recognition and classification: vehicles types, pedestrians, vehicle colors
- Traffic statistics summary: traffic volume, average speed, vehicle spacing, lane occupancy
- Target trajectory: target type, distance, lane and speed shown visually as a track
- Queued lanes: number of queued vehicles, queue length, vehicle position & speed
- Event detection: illegal lane change, ultra-low speed, over-speeding, occupying emergency lane, illegal parking, reverse driving, running red light
- Intelligent algorithm: built-in smart algorithm, easy maintenance and remote configuration

Product Parameters

| Model | ZT-AIRE100 | ZT-AIRE350 |
|---------------------------|---|-------------------------------------|
| Detection Range | 100m;≤8 lanes | 350m;≤ 12 lanes |
| Targets Number | 256 | 512 |
| Center Frequency | 77GHz | 77GHz |
| Fresh Rate | 20Hz | 20Hz |
| Speed Range | ±200Km/h | ±200Km/h |
| Speed Accuracy | ±0.1Km/h | ±0.1Km/h |
| Distance Resolution | 0.35m | 0.35 (< 100m); 1.4m (< 350m) |
| Distance Accuracy | ±0.1m | ±0.1m (< 100m); ±0.3m (< 350m) |
| Angle Resolution | 6° | 6° (< 100m); 1.5° (< 350m) |
| Angle Accuracy | ±1° | ±1° (< 100m); ±0.2° (< 350m) |
| Speed Resolution | 0.3Km/h | 0.3Km/h |
| Horizontal Angle | ±45° (< 100m); ±12° (< 350m) | ±45° (< 100m); ±12° (< 350m) |
| Pitch Angle | -16~6.5° (< 100m) ;±6° (< 350m) | -16~6.5° (< 100m) ;±6° (< 350m) |
| Camera Resolution | 4 MP | 8MP |
| Smart Function | Vehicle type classification; color identification;no-plate vehicle capture; vehicle driving direction detection | |
| Output Interface | RJ45/RS485/4*GPIO | RJ45/RS485/4*GPIO |
| Working Temperature | -40~85°C | -40~85°C |
| Protection Level | IP67 | IP67 |
| Average Power Consumption | DC 24V; 8W | DC 24V; 12W |
| Installation method | L-Pole/Signal Light/Gantry/Roadside | L-Pole/Signal Light/Gantry/Roadside |
| Dimension | 200mm*148mm*61mm | 200mm*148mm*61mm |

Field Installation Photos



Traffic Speed Radar

Product Overview

Excessive speed is the main cause of road traffic fatalities. Traffic speed radar is widely recognized to monitor the vehicle over-speeding for warning and enforcement. By adopting advanced microwave and high-speed digital signal processing technology, the speed radar can ensure the precise positioning and triggering of all types of passing vehicles and can meet the application requirements of international speed measurement and flow monitoring at the traffic checkpoint. Narrow beam speed radar measures the speed and distance of an approaching or receding vehicle in a single lane. Multi-lane speed radar is to monitor multiple lanes and multiple targets on the road. Those can be widely applied to speeding checkpoints in highway, tunnel, and various roads.

Application Scenarios



Product Features

- 24GHz ISM Band internationally accepted by traffic speed enforcement.
- Continuously track the vehicle and identify the location and speed.
- Flexible installation like gantry and roadside above the traffic.
- Wireless connection and visual interface for configuration.
- Vehicle capture position within $\pm 0.5\text{m}$ difference, the consistency is 99% above.
- All weather resistance, not affected by light, dust, rain, snow, haze and other harsh environment



Product Parameters

| Model | ZT-TSRK01LE | ZT-TSRK04LE |
|------------------------|---|---|
| Installation Type | Gantry | Gantry/Roadside |
| Installation Height | 5m~10m | 5m~10m |
| Tracking Distance | 80m | 100m |
| Trigger Distance | 15m~30m | 15m~50m |
| Position Accuracy | $\pm 0.5\text{m}$ | $\pm 0.5\text{m}$ |
| Detection Lanes | Single lane | 4 lanes |
| Speed Range | 1~300 km/h | 5~250 km/h |
| Speed Error | (-4~ 0) km/h | (-4~ 0) km/h |
| Center Frequency | K band :24GHz | K band :24GHz |
| EIRP | <20dBm | <20dBm |
| Fresh Rate | 20ms | 50ms |
| Output Interface | RS485/RS232/Wi-Fi/GPIO; Baud rate 9600bps~256000bps adjustable | RS485/Ethernet/Wi-Fi; Baud rate 9600bps~256000bps adjustable |
| Working Temperature | -40°C ~ 70°C | -40°C ~ 70°C |
| Power Supply | DC12v | DC9-32v |
| Power Consumption | < 2.5W | < 3.5W |
| Mechanical Performance | LEXAN material shell, compliant with NEMA6 and IP66 standards | LEXAN material shell, compliant with NEMA6 and IP66 standards |
| Dimension | L 198mmx W 42mmx H 169mm | L 150mmx W 45mmx H 150mm |
| Weight | 0.8kg | 0.8kg |

Field Installation Photos

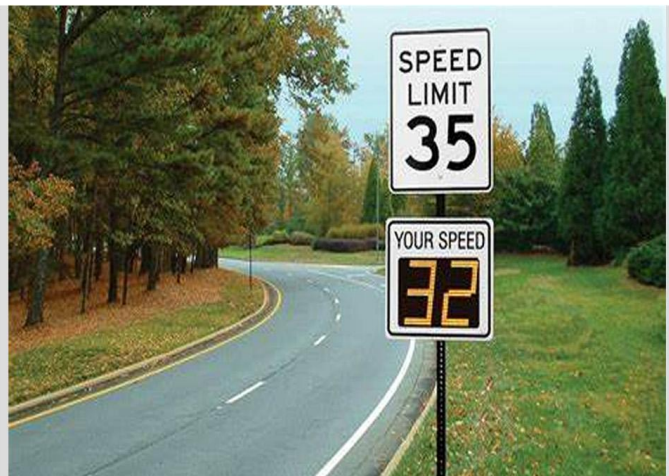


Speed Detection Radar

Product Overview

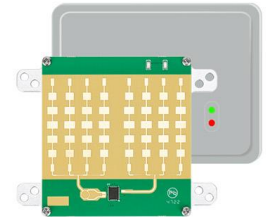
This speed detection radar is developed to warn the drivers with its speed feedback. It is recommended to install this type of radar with LED display, traffic warning lights or ANPR camera by the roadside in expressway, ordinary highway, community entrance road, corner intersection and school road section etc. so as to effectively reduce traffic accidents.

Application Scenarios



Product Features

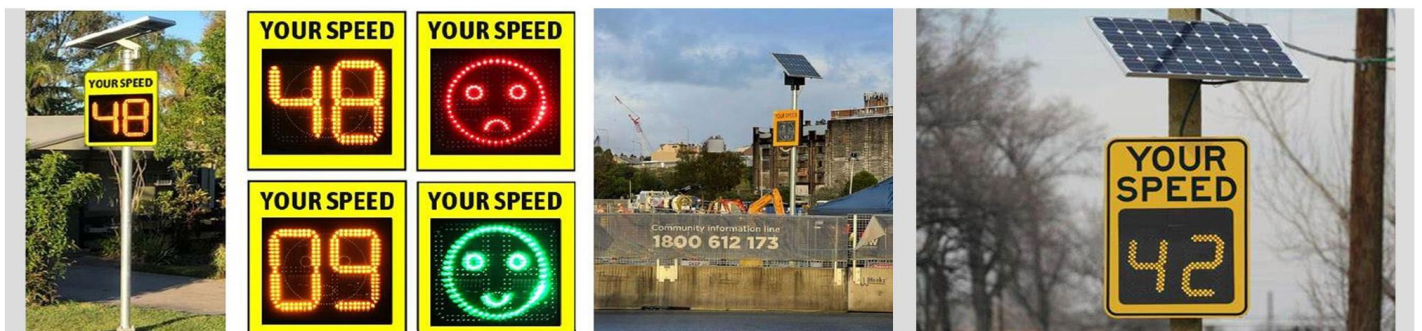
- 24GHz ISM Band internationally accepted by traffic management
- Accurate speed measurement and difference within 1km/h
- Flexible installation like gantry and roadside above the traffic
- Support multiple lanes coverage for LED speed sign display
- All weather resistance, not affected by light, dust, rain, snow, haze and harsh environment



Product Parameters

| Model | ZT-TSRK100SF | ZT-TSRK200SF |
|---------------------|----------------------------|----------------------------|
| Frequency | 24GHZ | 24GHZ |
| Transmission Power | 6dBm | 6dBm |
| Fresh Rate | 20ms | 20ms |
| Speed Range | 1~220Km/h | 1~240Km/h |
| Speed Accuracy | -1~0Km/h | -1~0Km/h |
| Detection Range | 100M | 200M |
| Direction | Coming/Leaving | Coming/Leaving |
| Beam Azimuth | ±24 | ±15 |
| Beam Elevation | ±9 | ±8 |
| Output Interface | RS485/TTL/GPIO | RS485/RS232/GPIO |
| Working Voltage | 12~24VDC | 12~24VDC |
| Power Consumption | ≤0.5W | ≤1.2W |
| Temperature Range | -40~80°C | -40~80°C |
| LED Indication | Red:Function /Green:Target | Red:Function /Green:Target |
| Dimension | 60*47mm | 70*90*7mm |
| Installation Height | 1-6M | 1.5-6m |

Field Installation Photos



Barrier Gate Radar

Product Overview

Putting the latest millimetre wave sensing technology to ensure the accurate detection on vehicle, human and object at the parking gate control area, the barrier gate radar is developed to replace the traditional loop sensor. It can detect the vehicle presence and proximity and deliver reliable relay output to control the parking access gate. This series includes both anti-hit model at the barrier control and trigger model for vehicle plate recognition camera. It is just easy to install and configure, no need to have any further construction on ground, cost saving solution to traditional sensors.

Application Scenarios



Product Features

- 24GHz ISM Band, no license required for application
- Adjustable detection ranges to suit specific scenario
- Free of learning, applicable to more complex environments
- Convenient installation and maintenance with low manual workload
- Advanced signal processing technology to detect pedestrian and vehicle stably and prevent the boom pole of the barrier gate from falling down when there is pedestrian and vehicle passing.
- All weather resistance, not affected by light, dust, rain, snow, haze and other harsh environment .
- Adopted with LED indicators to indicate the radar working status.
- Strong environmental adaptability without influence of the electromagnetic interference, illumination, dust, rain, snow, etc. towards the detection performance.

Product Parameters

| Model | ZT-PGRK001NP | ZT-PGRK002NP | ZT-PGRK003NP |
|---------------------|----------------------|----------------------|----------------------|
| Application | Barrier | Complex Fence | Trigger |
| Detection Range | 6m Max (adjustable) | 6m Max (adjustable) | 6m Max (adjustable) |
| Center Frequency | 24GHz ISM Band | 24GHz ISM Band | 24GHz ISM Band |
| Modulation | FMCW | FMCW | FMCW |
| EIRP | 15dBm | 15dBm | 15dBm |
| Horizontal Beam | 35±5° | 35±5°*15±3° | 15±3° |
| Pitch Beam | 15±3° | 15±3°*35±5° | 35±5° |
| Configuration | Button & LED Display | Button & LED Display | Button & LED Display |
| Output Interface | Relay (NO, NC,COM) | Relay (NO, NC,COM) | Relay (NO, NC,COM) |
| Power input | 12V DC | 12V DC | 12V DC |
| Current | 250mA | 250mA | 250mA |
| Working Temperature | -40°~85° | -40°~85° | -40°~85° |
| Protection Level | IP65 | IP65 | IP65 |
| Demension | 127*97*26mm | 127*97*26mm | 127*97*26mm |

Field Installation Photos





Smart Radar Sense For Traffic Safety

Hunan ZTRadar Technology Co., Ltd.

Web:www.ztiradar.com

Email:sales@ztiradar.com

Tel/Whatsapp:+86 190 7306 8826

Add: Room 1718, Building A, YiHaoZuoPin, Jiucaiyuan Street,
Bayi Road, Furong District, Changsha City, Hunan, China